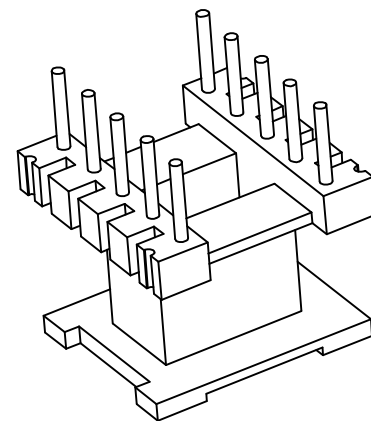
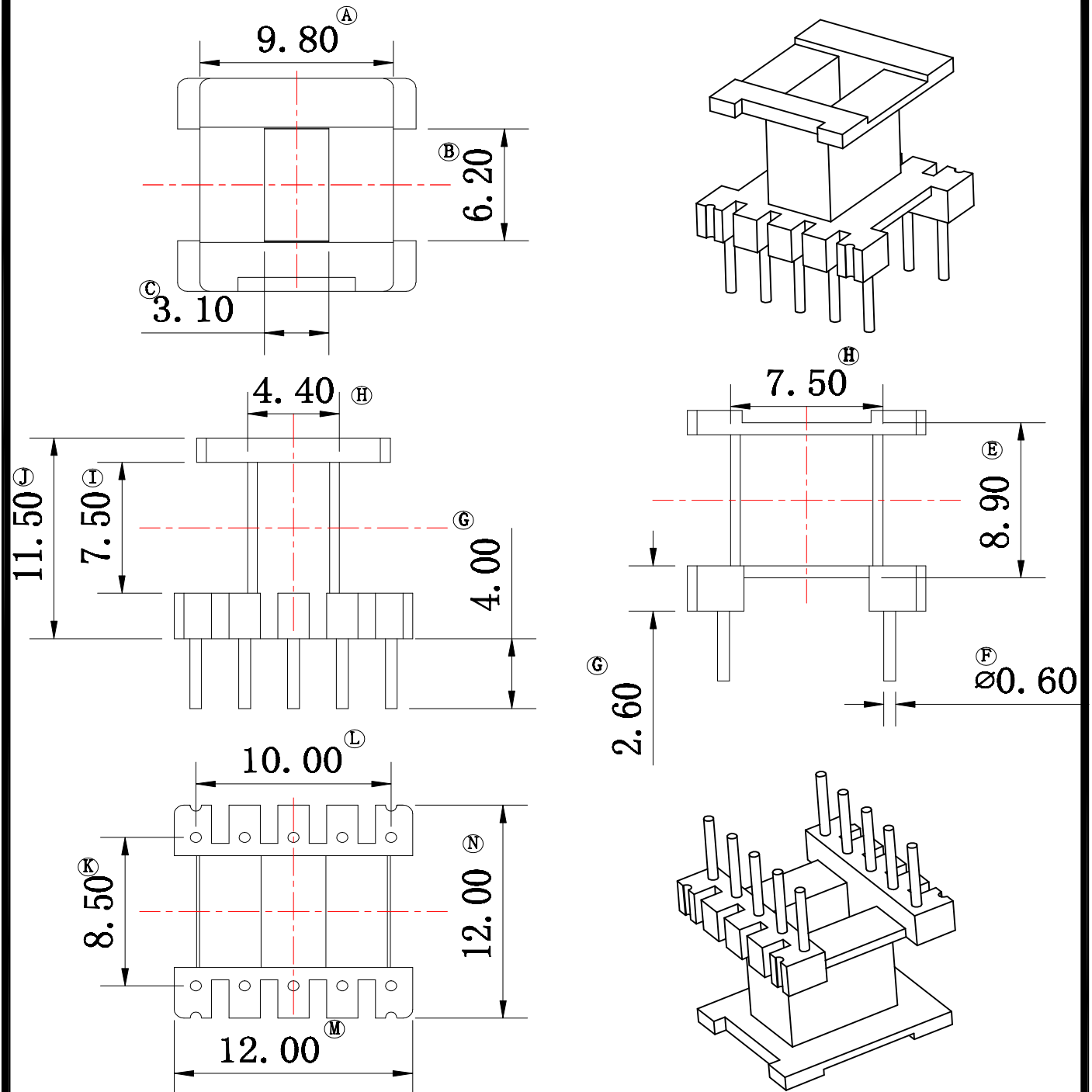
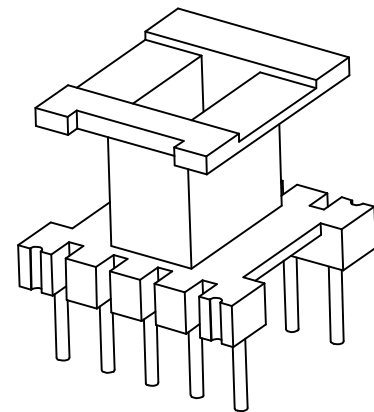


## FWB1312-J



REV	REVISION RECORD	DATE	REV	REVISION RECORD	DATE
A			C		
B			D		

NAME	EE13 5+5P	MATERIAL	PHENOLIC	SCALE		ANGLE	±1°	
DRAWING NO.	FWB1312-J	PIN MATERIAL	CP WIRE	UNIT	m/m	REV	A	
TOLERANCE OF PIN PITCH ±0.20				<b>HAINING FERRIWO ELECTRONICS CO.,LTD.</b> TEL: +86-573-87088701 FAX: +86-573-87081130 Web: www.ferriwo.com Email: sales@ferriwo.com				
PIN TENSION LOAD kg MN								UL REC: 94V-0
TOLERANCE: 0<L≤4: ±0.2 4<L≤16: ±0.3 16<L≤63: ±0.4								